

# User manual

Toaster

**STEP 6:** If the bread has not fully defrosted, repeat steps 4–5. To stop the cycle, press [X].

**STEP 7:** Switch off and unplug the toaster from the mains power supply.

**STEP 8:** Remove the food from the toasting slots using heat-resistant oven gloves. Gently lift the loading lever to raise the toast out of the toasting slots so that it can be more easily removed.

## Using the reheat setting

The reheat setting allows toast to be reheated which has gone cold.

**STEP 1:** Make sure that the crumb tray is pushed fully into the toaster and that the toasting lever is in the upright position.

**STEP 2:** Plug in and switch on the toaster at the mains power supply.

**STEP 3:** Set the browning control dial to the desired setting.

**STEP 4:** Insert the cold toast into the toasting slots and lower the loading lever until it is locked into position. Reheating will begin once the lever is fully lowered and [REHEAT] has been pressed (this will remain illuminated throughout the reheating process).

**STEP 5:** When the reheat setting has completed its cycle, the toast will pop up automatically.

**STEP 6:** If the bread has not fully reheated, repeat steps 4–5. To stop the cycle, press [X].

**STEP 7:** Switch off and unplug the toaster from the mains power supply.

**STEP 8:** Remove the food from the toasting slots using heat-resistant oven gloves. Gently lift the loading lever to raise the toast out of the toasting slots so that it can be more easily removed.

## Automatic centring guides

Lowering the loading lever closes the centring guides and holds the bread centrally in the toasting slots.



**NOTE:** The loading lever will not lock down unless the toaster is plugged into a mains power supply and is switched on.

## Crumb tray

The toaster is equipped with a crumb tray, which should be periodically emptied so that the toaster operates correctly.

To remove the crumb tray, which is situated at the back of the toaster housing, pull the back handle towards the user.

Empty the crumb tray and then reinsert it, pushing it until it clicks back into position.

## Storage

The toaster must be cool, clean and dry before storing in a cool, dry place.

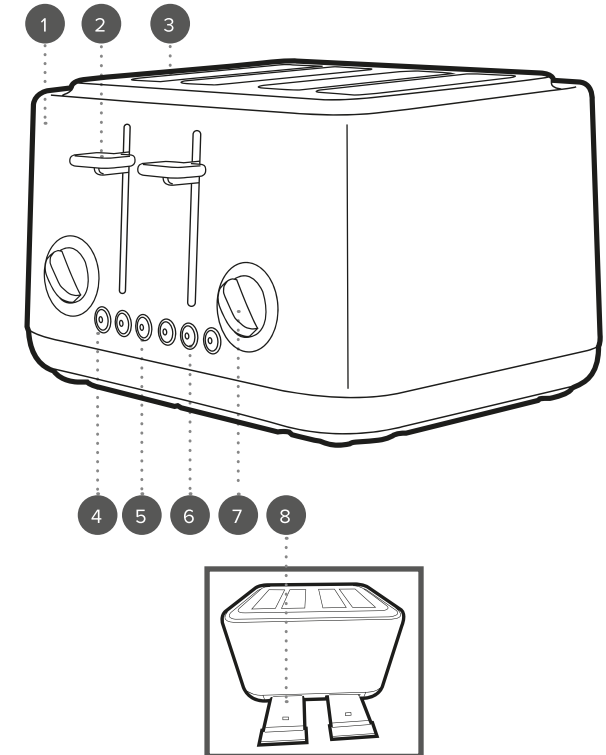
Never wrap the cord tightly around the toaster; wrap it loosely to avoid causing damage.

## Specification

Product code: EK5823

Input: 220–240 V ~ 50–60 Hz

Output: 1370 –1630 W



1. Toaster housing
2. Loading lever
3. Toaster slot
4. Cancel button [X]

5. Reheat button [REHEAT]
6. Defrost button [DEFROST]
7. Browning control dial
8. Removable crumb tray



### Disposal of Waste Batteries and Electrical and Electronic Equipment



This symbol on the product, its batteries or its packaging means that this product and any batteries it contains must not be disposed of with household waste. Instead, it is the user's responsibility to hand this over to an applicable collection point for the recycling of batteries and electrical and electronic equipment. This separate collection and recycling will help to conserve natural resources and prevent potential negative consequences for human health and the environment due to the possible presence of hazardous substances in batteries and electrical and electronic equipment, which could be caused by inappropriate disposal. Some retailers provide take-back services which allow the user to return exhausted equipment for appropriate disposal. **It is the user's responsibility to delete any data on electrical and electronic equipment prior to disposal.** For more information about where to drop batteries, electrical and electronic waste off, please contact the local city/municipality office, household waste disposal service, or the retailer.

Manufactured by:  
Ultimate Products UK Ltd.,  
Victoria Street, Manchester OL9 0DD. **UK.**  
Ultimate Products Europe Ltd.,  
19 Baggot Street Lower, Dublin D02 X658. **ROI.**

**MADE IN CHINA.**

CD190923/MD000000/V1



Please retain instructions for future reference.

## SAFETY INSTRUCTIONS

- When using electrical appliances, basic safety precautions should always be followed.
- Check that the voltage indicated on the rating plate corresponds with that of the local network before connecting the appliance to the mains power supply.
- Children aged from 8 years and people with reduced physical, sensory or mental capabilities or lack of experience and knowledge can use this appliance, only if they have been given supervision or instruction concerning use of the appliance in a safe way and understand the hazards involved.
- Unless they are older than 8 and supervised, children should not perform cleaning or user maintenance.
- This appliance is not a toy – children should be supervised to ensure that they do not play with the appliance.
- If the power supply cord, plug or any part of the appliance is malfunctioning or if it has been dropped or damaged, cease using the product immediately to avoid potential injury.
- This appliance contains no user serviceable parts, only a qualified electrician should carry out repairs. Improper repairs may place the user at risk of harm.
- Keep the appliance and its power supply cord out of the reach of children.
- Keep the appliance and its power supply cord away from heat or sharp edges that could cause damage.
- Keep the appliance away from other heat emitting appliances.
- Do not allow the power supply cord to hang over worktops, touch hot surfaces or become twisted.
- Do not immerse the electrical components of this appliance in water or any other liquid.
- Do not operate the appliance with wet hands.
- Do not leave the appliance unattended whilst connected to the mains power supply.
- Do not use metal utensils to remove anything from the toaster as this may cause injury.
- Do not remove the appliance from the mains power supply by pulling the cord; switch it off and remove the plug by hand.
- Do not pull or carry the appliance by its power supply cord.
- Do not use the appliance for anything other than its intended use.
- Do not use any accessories other than those supplied.
- Do not store the appliance in direct sunlight or in high humidity conditions.
- Do not move the appliance when it is in use.



**CAUTION:** Hot surface – do not touch the hot section or heating components of the appliance.



**WARNING:** Keep the appliance away from flammable materials. Bread may burn – toasters must not be used near or below curtains and other combustible materials.

## Care and maintenance

**STEP 1:** Before attempting any cleaning or maintenance, unplug the toaster from the mains power supply and allow to fully cool.

**STEP 2:** Wipe the toaster housing with a soft, damp cloth and dry thoroughly.

**STEP 3:** Remove crumbs from inside the base of the toaster by sliding open the crumb tray following the instructions in the section entitled '**Crumb tray**'.



**CAUTION:** Do not immerse the toaster in water or any other liquid. Never use harsh or abrasive cleaning detergents or scourers to clean the toaster, as this could damage the surface. Never place fingers near or inside the toasting slots. Always unplug the toaster and allow it to cool thoroughly before attempting to remove any bread that has become stuck inside the toasting slot. Take care when removing food from the toasting slots to avoid damage to the internal mechanism and heating element. Do not allow crumbs to build up inside the base of the toaster. Empty the crumb tray periodically. Do not operate the toaster without bread, as this may cause damage to the toaster.

## Instructions for use

### Before first use

Before using the toaster for the first time, wipe the toaster housing with a soft, damp cloth and dry thoroughly.



**NOTE:** When using the toaster for the first time, a slight smoke or odour may be emitted. This is normal and will soon subside. Allow for sufficient ventilation around the toaster.

### Using the toaster

**STEP 1:** Place the toaster onto a flat, stable, heat-resistant surface at a height that is comfortable for the user. Make sure that the crumb tray is pushed fully into the toaster housing and that the toasting lever is in the upright position, with no bread or other objects inserted to the toasting slots.

**STEP 2:** Plug in and switch on the toaster at the mains power supply.

**STEP 3:** Turn the browning control dial to the desired setting. Select 3–4 for medium brown toast.

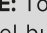
**STEP 4:** Insert the bread or food to be toasted into the toasting slots and lower the loading lever until it is locked into place. Toasting will begin when the lever is fully down.

**STEP 5:** When the bread reaches the desired browning level, the toast will pop up automatically.

**STEP 6:** Turn the toaster off and unplug it from the mains power supply.

**STEP 7:** Remove the food and any crumbs from the toasting slots using heat-resistant gloves.



**NOTE:** To interrupt toasting mid-setting, press . The cancel button will remain illuminated throughout the toasting cycle.



**CAUTION:** Do not toast pastries with runny fillings or frosting. Do not toast torn slices of bread. Do not allow bread to burn.

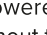
**WARNING:** Never use a fork or sharp-edged utensil to remove toast, as this may damage the heating element or cause injury.

### Using the defrost setting

**STEP 1:** Make sure that the crumb tray is pushed fully into the toaster and that the toasting lever is in the upright position.

**STEP 2:** Plug in and switch on the toaster at the mains power supply.

**STEP 3:** Set the browning control dial to the desired setting.

**STEP 4:** Insert the frozen bread into the toasting slots and lower the loading lever until it is locked into position. Defrosting will begin once the lever is fully lowered, and  has been pressed (this will remain illuminated throughout the defrost process).

**STEP 5:** When the defrost setting has completed its cycle, the bread will pop up automatically.