

Beldray^{est 1872}[®]

Our convenient,
slim & versatile
vacuum cleaner



AIR
XCEL PRO
INSTRUCTION MANUAL



www.beldray.com

Please retain instructions for future reference.

Safety Instructions

When using electrical appliances, basic safety precautions should always be followed.

Check that the voltage indicated on the rating plate corresponds with that of the local network before connecting the appliance to the mains power supply.

Children aged from 8 years and people with reduced physical, sensory or mental capabilities or lack of experience and knowledge can use this appliance, only if they have been given supervision or instruction concerning use of the appliance in a safe way and understand the hazards involved.

Children should be supervised to ensure that they do not play with the appliance.

Unless they are older than 8 and supervised, children should not perform cleaning or user maintenance.

This appliance contains no user serviceable parts. If the power supply cord, plug or any part of the appliance is malfunctioning or if it has been dropped or damaged, do not use. Only a qualified electrician should carry out repairs. Improper repairs may place the user at risk of harm.

Do not remove from the mains power supply by pulling the cord; switch off and remove the plug by hand.

Do not pull or carry the appliance by its power supply cord.

Do not use this appliance if any of the openings are blocked.

Do not use this product on any loose threads.

Do not use the appliance to pick up flammable liquid, matches, cigarette ends, hot ashes or any hot, burning, or smoking objects.

Do not use this appliance to pick up hard, sharp objects, such as glass or nails etc.

Do not use the appliance to pick up water or any other liquid, as this poses risk of an electric shock.

Do not use the appliance for anything other than its intended use. Take care when equipping accessories with rotating parts as this could cause entrapment.

Switch off the appliance, disconnect it from the mains power supply and allow to cool fully before changing or fitting accessories and before cleaning or user maintenance.

Use of an extension cord with the appliance is not recommended. This appliance should not be operated by means of an external timer or separate remote control system.

This appliance is intended for domestic use only. It should not be used for commercial purposes.

Thermal Cut-out Device

If the dust container and HEPA filter are not cleaned on a regular basis, the vacuum cleaner may overheat. This will cause the thermal cut-out device to activate due to restricted flow of air around the unit. If the vacuum cleaner cuts out, press the power switch to turn it off and unplug it from the mains power supply. Proceed to empty the dust container, clean the HEPA filter and allow the vacuum cleaner to cool for approx. 40 minutes.

Care and Maintenance

Always unplug the vacuum cleaner from the mains power supply before attempting any cleaning or maintenance.

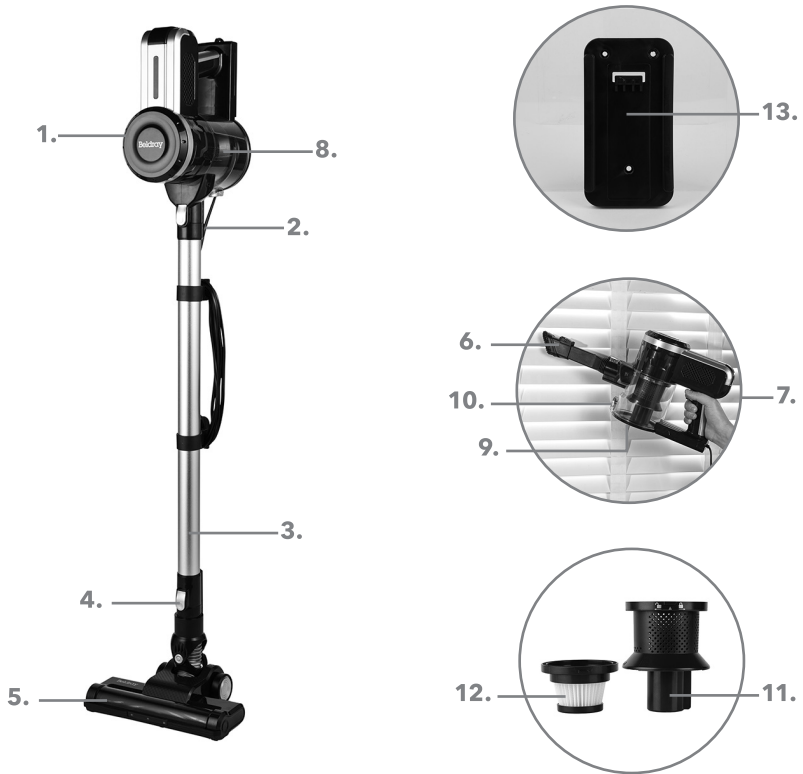
Wipe the external surface of the vacuum cleaner with a soft, damp cloth and allow to dry thoroughly.

Do not use any harsh or abrasive detergents or cleaning agents to clean any part of the vacuum cleaner.

Clean the HEPA filter every two weeks.

To clean the inside of the dust container it is possible to remove the cyclonic cone.

Description of Parts



- | | |
|--|---------------------------------------|
| 1. Two in One Corded Stick Vac main unit | 9. Dust container lid |
| 2. Air inlet | 10. Dust container base release latch |
| 3. Extension tube | 11. Cyclonic filter cone |
| 4. Extension tube button | 12. HEPA filter |
| 5. Floor brush | 13. Wall mount |
| 6. 2 in 1 crevice and brush tool | 14. Screws x 3 |
| 7. Power switch | 15. Wall plugs x 3 |
| 8. 600 ml dust container | |

Instructions for Use

Before First Use

Before using the vacuum cleaner for the first time, wipe it with a soft, damp cloth and dry thoroughly.

Do not immerse the vacuum cleaner in water or any other liquid.

Using the Two in One Corded Stick Vac

STEP 1: Plug in and switch on the vacuum cleaner at the mains power supply.

STEP 2: Turn on the vacuum cleaner by pressing the power switch. To turn it off, press the power switch once more.

NOTE: The vacuum cleaner must be switched off and unplugged from the mains power supply before cleaning.

WARNING: Do not use the vacuum cleaner without the HEPA filter or cyclonic cone in position. Make sure that the HEPA filter and dust container are cleaned regularly to preserve suction and prolong the life of the vacuum cleaner.

Using the Extension Tube and Floor Brush

The extension tube can be fitted onto the air inlet to extend reach, ideal for floor-to-ceiling cleaning.

STEP 1: Fit the extension tube onto the air inlet by aligning the pins and carefully pushing the extension tube towards the vacuum cleaner main unit until it clicks into position. To release the extension tube, press the extension tube release button and pull it away from the vacuum cleaner main unit.

STEP 2: Attach the floor brush by aligning the pins on the floor brush with the bottom of the extension tube. Carefully push together to secure into place. To release the floor brush, press the floor brush release button and pull it away from the extension tube.

STEP 3: Turn on the vacuum cleaner by pressing the power button.

NOTE: The floor brush can also be attached directly onto the handheld unit by aligning the pins on the floor brush with the air inlet on the handheld unit. Carefully push together to secure the floor brush in place.

Using the 2 in 1 Crevice and Brush Tool

The 2 in 1 crevice and brush tool is ideal for removing dust and dirt from folds in fabrics, radiators, corners, recesses and other places that are hard to reach, including dust and dirt from shelves, cupboards and windowsills.

STEP 1: Push the 2 in 1 crevice and brush tool onto the end of either the telescopic extension tube or the vacuum air inlet.

STEP 2: Turn on the vacuum cleaner by pressing the power switch.

STEP 3: To remove the chosen attachment, turn off the vacuum cleaner and then pull the chosen attachment firmly away from the extension tube or vacuum air inlet.

NOTE: Due to the high suction of the vacuum, the floor brush may encounter resistance during use on high pile carpets. This is normal.

Emptying the Dust Container

Before emptying the dust container, switch off and unplug the vacuum cleaner from the mains power supply. It is recommended to empty the dust container outdoors.

STEP 1: Whilst securely holding the vacuum cleaner main unit, over a bin or refuse bag, pull the dust container base release latch to open the base of the dust container. Empty the dust container slowly and carefully to reduce the amount of dust released back into the atmosphere. Shake the dust container gently to dislodge any stubborn dust.

STEP 2: To close the dust container, push the base closed until it locks back into position.

NOTE: The cyclonic cone can be removed from the dust container for easier cleaning.

Do not use the vacuum cleaner if the dust container is filled past the max. fill mark, as this could damage the vacuum cleaner or cause injury to the user.

Cleaning the Dust Container and HEPA Filter

The filter can only be accessed when the filter cone has been removed.

STEP 1: Remove and empty the dust container by following the instructions in the section entitled 'Emptying the Dust Container'.

STEP 2: Once the dust container is empty, remove the cyclonic filter cone by twisting it in a clockwise direction, and then remove from the dust container.

STEP 3: Twist the HEPA filter in a clockwise direction and pull from the cyclonic filter cone.

STEP 4: Shake the HEPA filter and cyclonic filter cone until the majority of the dust has been removed, then rinse under clean, warm water and allow to dry naturally.

STEP 5: When the HEPA filter has fully dried, reinsert it into the cyclonic cone and lock into place. Replace the cyclonic filter Cone into the dust container aligning the tabs and turning in an anti-clockwise direction to lock into place.

NOTE: Do not use the vacuum cleaner unless the dust container lid is securely in place.

Do not use external heat sources such as radiators to dry the HEPA filter.

It is recommended to clean the HEPA filter every two weeks, depending upon use.

WARNING: Do not reassemble or use the vacuum cleaner until the HEPA filter is fully dry, as this could cause damage.

Do not use the vacuum cleaner without the HEPA filter or cyclonic filter cone in position, as this could cause damage.

Fitting and Using the Wall Mount

The wall mount can be used for easy storage.

NOTE: Do not overtighten the screws as this can cause the wall mount to crack and break.

WARNING: Ensure the wall mount is fitted to a solid wall only. Ensure that there are no wires or water and gas pipes present behind the wall where it is to be fitted.

STEP 1: Place the mount on the wall in its desired position ensuring it is level. Mark the three holes on the wall using a marker or pencil.

STEP 2: Using a 5 mm drill bit, drill into the wall roughly 3 cm deep and insert the wall plugs.

STEP 3: Put the wall mount on the wall ensuring the holes line up with the wall plugs. Screw the screws into the wall plugs to secure the mount.

STEP 4: Hook the vacuum onto the wall mount by placing the hook on the wall mount into the gap found on the base of the vacuum main unit.

Storage

Check that the vacuum cleaner is cool, clean and dry before storing in a cool, dry place.

Troubleshooting

Symptom	Possible Cause	Solution
The suction is poor.	<p>The air inlet is blocked.</p> <p>The dust container is almost full.</p> <p>The HEPA filter is blocked.</p>	<p>Disconnect any attachment and clear the blockage.</p> <p>Empty the dust container following the instructions in the section entitled 'Emptying the Dust Container'.</p> <p>Clean the HEPA filter following the instructions in the section entitled 'Cleaning the Dust Container and HEPA Filter'.</p>
The vacuum cleaner has stopped working.	The thermal cut-out device has activated due to restricted air flow, and has cut power to the motor to protect the vacuum cleaner.	<p>Switch off and unplug the vacuum cleaner from the mains power supply.</p> <p>Empty the dust container and clean it following the instructions in the section entitled 'Cleaning the Dust Container and HEPA Filter'.</p> <p>Allow the vacuum cleaner to cool for approx. 40 minutes.</p>

Specifications

Product code: BEL01625

Rated voltage: 220-240 V ~ 50/60 Hz

Rated wattage: 600 W

Connection to the mains

Please check that the voltage indicated on the product corresponds with your supply voltage.

Important

As the colours in the mains lead of this appliance may not correspond with the coloured markings identifying the terminals in your plug, please proceed as follows:

The wires in the mains lead are coloured in accordance with the following code:

Blue Neutral (N)

Brown Live (L)

FOR UK USE ONLY - Plug fitting details (where applicable).

The wire coloured BLUE is the NEUTRAL and must be connected to the terminal marked N or coloured BLACK.

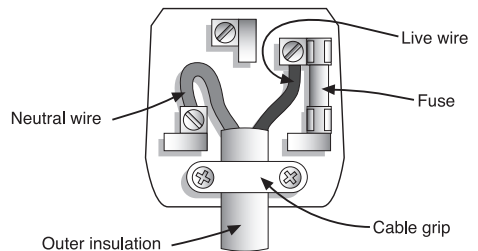
The wire coloured BROWN is the LIVE wire and must be connected to the terminal marked L or coloured RED.

On no account must either the BROWN or the BLUE wire be connected to the EARTH terminal (\perp).

Always ensure that the cord grip is fastened correctly.

The plug must be fitted with a fuse of the same rating already fitted and conforming to BS 1362 and be ASTA approved.

If in doubt consult a qualified electrician who will be pleased to do this for you.



Non-rewireable mains plug

If your appliance is supplied with a non-rewireable plug fitted to the mains lead and should the fuse need replacing, you must use an ASTA approved one (conforming to BS 1362 of the same rating).

If in doubt, consult a qualified electrician who will be pleased to do this for you.

If you need to remove the plug - DISCONNECT IT FROM THE MAINS and then cut it off the mains lead and immediately dispose of it safely. Never attempt to reuse the plug or insert it into a socket outlet as there is a danger of an electric shock.



**UP Global Sourcing UK Ltd.,
Victoria Street, Manchester OL9 0DD. UK.
Edmund-Rumpler Straße 5, 1149 Köln. Germany.**

If this product does not reach you in an acceptable condition please contact our Customer Services Department at www.beldray.com

Please have your delivery note to hand as details from it will be required.

If you wish to return this product please return it to the retailer from where it was purchased with your receipt (subject to their terms and conditions).

Guarantee

All products purchased as new carry a manufacturer's guarantee; the time period of the guarantee will vary dependent upon the product. Where reasonable proof of purchase can be provided, Beldray will provide a standard 12 month guarantee with the retailer from the date of purchase. This is only applicable when products have been used as instructed for their intended, domestic use. Any misuse or dismantling of products will invalidate any guarantee.

Under the guarantee, we undertake to repair or replace free of any charge any parts found to be defective. In the event that we cannot provide an exact replacement, a similar product will be offered or the cost refunded. Any damages from daily wear and tear are not covered by this guarantee, nor are consumables such as plugs, fuses etc.

Please note that the above terms and conditions may be updated from time to time and we therefore recommend that you check these each time you revisit the website.

Nothing in this guarantee or in the instructions relating to this product excludes, restricts or otherwise affects your statutory rights.

Disposal of Waste Batteries and Electrical and Electronic Equipment



This symbol on the product, its batteries or its packaging means that this product and any batteries it contains must not be disposed of with household waste.

Instead, it is the user's responsibility to hand this over to an applicable collection point for the recycling of batteries and electrical and electronic equipment. This separate collection and recycling will help to conserve natural resources and prevent potential negative consequences for human health and the environment due to the possible presence of hazardous substances in batteries and electrical and electronic equipment, which could be caused by inappropriate disposal. Some retailers provide take-back services which allow the user to return exhausted equipment for appropriate disposal. **It is the user's responsibility to delete any data on electrical and electronic equipment prior to disposal.** For more information about where to drop batteries, electrical and electronic waste off, please contact the local city/municipality office, household waste disposal service, or the retailer.



*To be eligible for the extended guarantee, go to [guarantee.upgs.com/beldray](https://www.guarantee.upgs.com/beldray) and register your product within 30 days of purchase.

Find us on 

www.facebook.com/Beldray



Manufactured by:
UP Global Sourcing UK Ltd.,
Victoria Street, Manchester OL9 0DD. **UK.**
Edmund-Rumpler Straße 5, 1149 Köln. **Germany.**

www.beldray.com

©Beldray Trademark. All rights reserved.

CD110123/MD000000/V1

