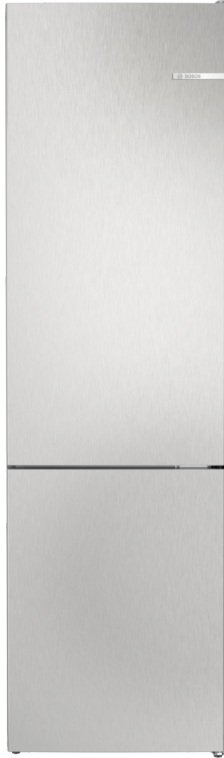


Series 4, Free-standing fridge-freezer with freezer at bottom, 203 x 60 cm, Stainless steel look KGN392LDFG



NoFrost bottomfreezer : no need to defrost your freezer

- **VitaFresh XXL Pro near 0°C:** climate-controlled compartments lock in freshness and nutrients for longer.
- **Glossy Backwall with Multi Airflow:** evenly circulates cool, fresh air to maintain consistent temperatures.
- **Perfect Fit:** place your fridge right next to walls or other appliances to save space.
- **LED lighting:** all your items in perfect view.
- **Two cooling systems:** separately controllable fridge and freezer compartments

Energy Efficiency Class:	D
Average annual energy consumption in kilowatt hour per year (kWh/a):	203 kWh/annum
Sum of volume of frozen compartments:	103 l
Sum of volume of chill compartments:	260 l
Airborne acoustical noise emissions :	35 dB(A) re 1pW
Airborne acoustical noise emission class:	B
Built-in / Free-standing:	Freestanding
Door panel options:	Not possible
Height:	2030 mm
Width of the appliance:	600 mm
Depth:	665 mm
Net weight:	69.7 kg
Fuse protection:	13 A
Door hinge:	Right reversible
Voltage:	220-240 V
Frequency:	50 Hz
Length electrical supply cord:	231.0 cm
Number of compressors:	1
Number of independent cooling systems:	2
Interior ventilator:	No
Reversible Door Hinge:	Yes
Number of Adjustable Shelves in fridge compartment:	3
Shelves for Bottles:	Yes
Frost free system:	Fridge and freezer
Installation typology:	Free-standing



Series 4, Free-standing fridge-freezer with freezer at bottom, 203 x 60 cm, Stainless steel look KGN392LDFG

- 3 x egg tray, 1 x ice cube tray

Country Specific Options

- Based on the results of the standard 24-hour test. Actual consumption depends on usage/position of the appliance.

NoFrost bottomfreezer : no need to defrost your freezer

Performance and Consumption

- EU19_EEK_D: D
- Total Volume : 363 l
- Net Fridge Volume : 260 l
- Net Freezer Volume : 103 l
- Freezing capacity 24h : 9.5 kg
- Annual Energy Consumption: 203 kWh/a
- Climate Class: SN-T
- Noise Level : 35 dB , EU19_Noise emission class_D: B
- Temperature rise time : EU19_Temperature rise time_D: 15 H

Design features

- Integrated vertical handle
- Bright interior LED fridge light in fridge section
- Standard door Stainless steel look
- NO_FROST_NEU_BL, never have to defrost ever again
- Separate, electronic temperature control with LED display
- Two separate cooling circuits allow independent temperature control and prevents the transference of humidity between the fridge and freezer cavity
- Optical and accoustical

Design features

Food freshness system

- MultiAirflow system - improves circulation of air around the fridge
- 1 VitaFresh drawer - Fish and meat stay fresh for longer
- 1 VitaFresh drawer with humidity control - Fruits and vegetables retain vitamins and stay fresh for longer

Key features - Fridge section

- White glossy back wall
- Super Cooling: automatic deactivation
- 5 safety glass shelves of which 3 are height adjustable
- Metal bottle rack
- Door shelves in fridge door: 1 large and 3 small.

Dimension and installation

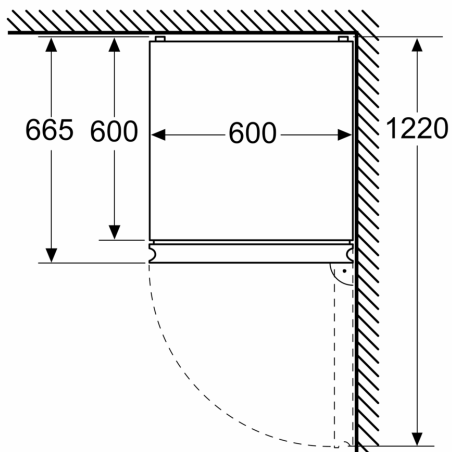
- Dimensions: 203 cm H x 60 cm W x 66.5 cm D
- Right hinged door, door reversible
- Height adjustable front feet
- 220 - 240 V

Key features - Freezer section

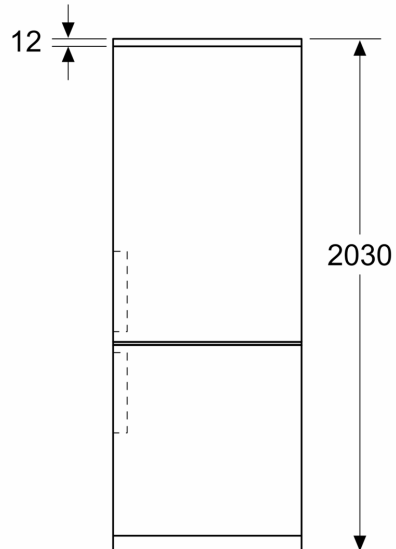
- Freezer malfunction warning signal: optical and acoustical warning system
- 3 freezer drawers
- Net freezer capacity: 103 litres
- Freezing capacity in 24 hours: 9.5 kg
- Maximum freezer storage time in power failure: 15 hours
- 5 safety glass shelves (3 height adjustable)

**Series 4, Free-standing fridge-freezer
with freezer at bottom, 203 x 60 cm,
Stainless steel look
KGN392LDFG**

Measurements in mm



Measurements in mm



Measurements in mm

